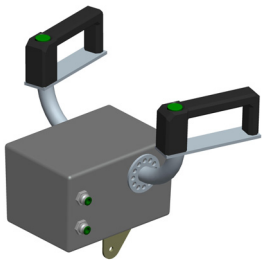


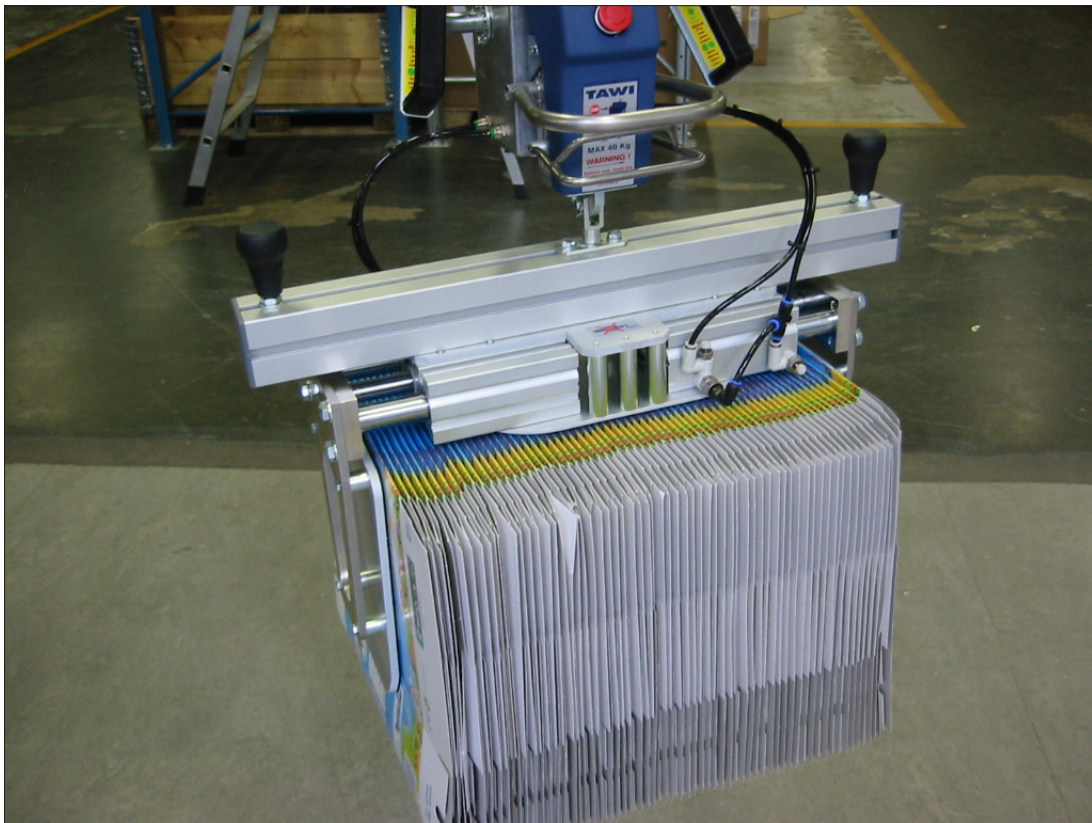
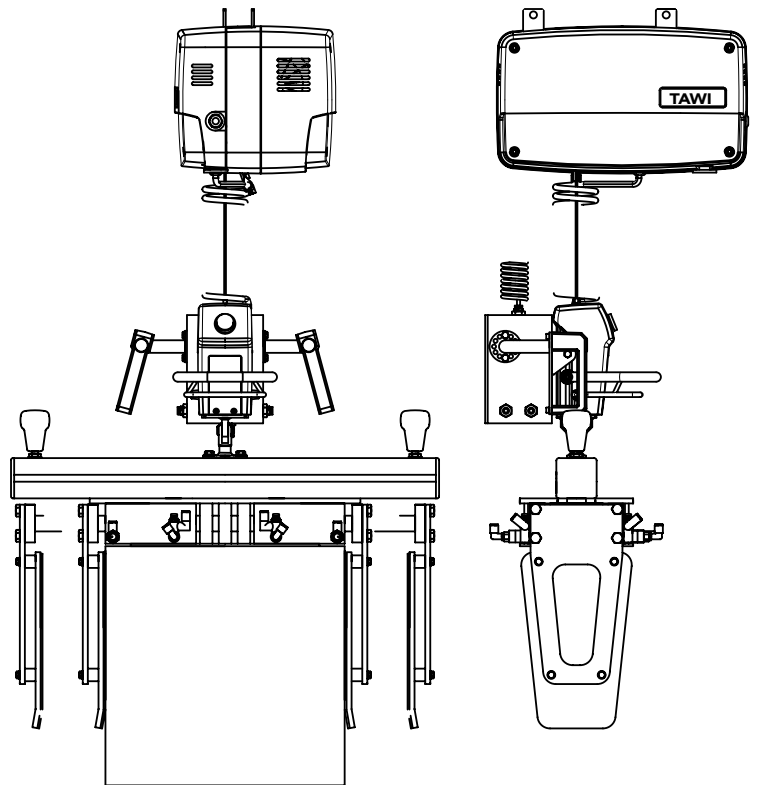
3380 clamping printed material

Project nr: 3380
Client: Graphics industry
Project supervisor: Marc Oliver, AOG, Spain
Project engineer: Mikael Kayser TAWI

A pneumatic clamping tool for TH80 is used to clamp the printed material tightly so that it can be easily bundled.
Stroke is 200 mm.



The clamping action of this TH80 application is solved with a pneumatic unit.



TAWI
TH80

Box 10205, 434 23 KUNGSBACKA Sweden
Tel +46 300 185 00
info@tawi.se
www.TAWI.com